

# PAPER FEED UNIT 5000

(Code: G313)

For Machine Code: G071

## INSTALLATION GUIDE

### Preparation

For a safe operation, read "*Safety Information*" in Maintenance Guide 1.

When installing multiple options, install the Paper Feed Unit first.

Two people are needed to install the Paper Feed Unit. Start the installation with two people.

Up to two Paper Feed Units can be installed to the printer. When installing two units, connect the two units by following the procedure for connecting the unit and the printer. Then, place the printer on the connected two Paper Feed Units.

### CAUTION:

- *When moving the machine, each person should hold the handles that are located on opposite sides, and then lift it slowly. Lifting it carelessly or dropping it may cause an injury.*
- *When moving the Paper Feed Unit, hold the handles that are located on the top of the unit, and then lift it slowly. Lifting it carelessly or dropping it may cause an injury.*

### Important

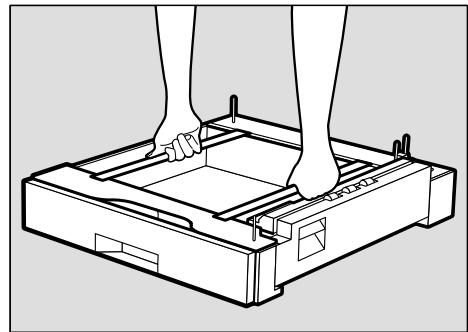
- Check the printer nameplate to confirm the model code.

### Note

- The printer weighs approximately 60 kg (130 lb.).
- The PAPER FEED UNIT weighs approximately 15 kg (33 lb.).
- "Tray 2" appears on the panel display when only one unit is installed. "Tray 3" appears on the panel display for the second unit when two units are installed.

**1** Turn off the power switch, and then unplug the power cable.

**2** Hold the Paper Feed Unit as shown in the illustration, and then place it on a flat surface near the place where the machines are to be installed.



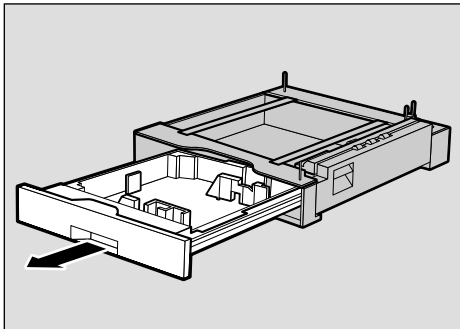
ZESP900J

### Note

- Be sure to work in a place with enough space, so that you can get in the back of the printer.

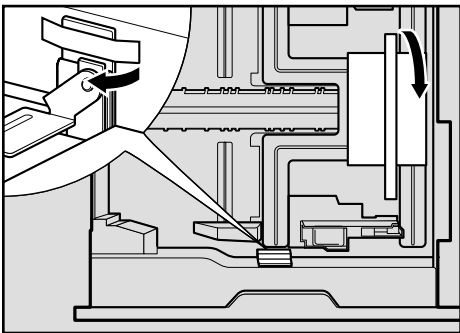
**3** Remove the adhesive tapes.

- 4** Open the tray of the Paper Feed Unit, and then remove the supplied parts and the packing materials.



ZESP140J

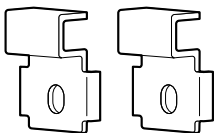
The packing materials are put in two places as shown in the illustration.



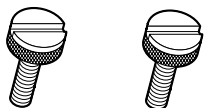
ZESP602J

- 5** Close the tray firmly.
- 6** Check the contents.

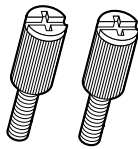
❖ Two metal fittings



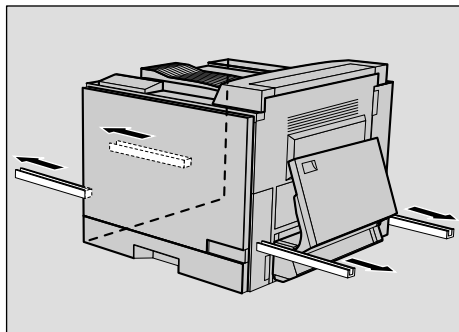
❖ Two screws (for the front)



❖ Two screws (for the rear)



- 7** Pull out the holding handles from the sides of the printer.



ZESP006J

 **Note**

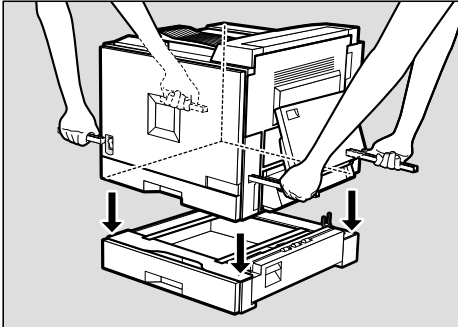
- Be sure to pull out the handles all the way.

- 8** Lift the printer, adjust the front sides of the printer and the Paper Feed Unit, and then lower the printer slowly into place of the Paper Feed Unit.

 **Important**

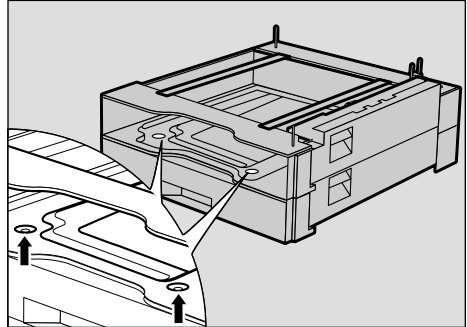
- When installing two Paper Feed Units, connect the two units by following the procedure for connecting the unit and the printer. Then, place the printer on the connected two Paper Feed Units.

- When lifting the printer, hold the handles of the printer with two people.



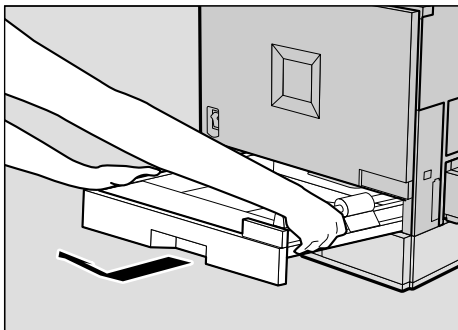
ZESP144J

To connect two Paper Feed Units, fasten the two screws (for the front) as shown in the illustration.



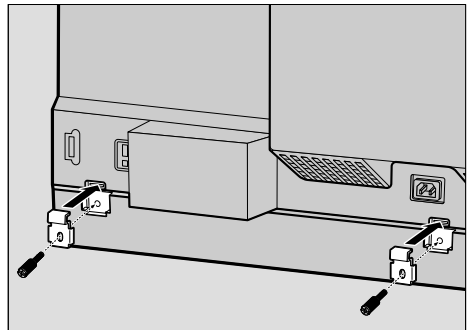
ZESP910J

- 9 Push in the holding handles that you pulled out in step 7.
- 10 Pull out Tray 1 (standard input tray) slowly while lifting it up a little.



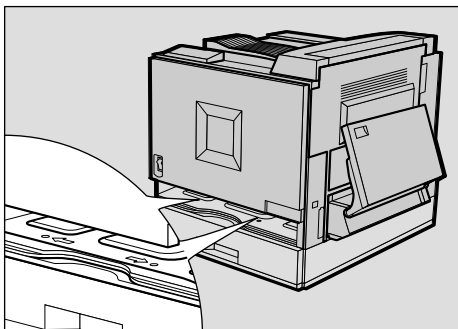
ZESP008J

- 12 Close Tray 1 firmly.
- 13 Place the two metal fittings on the back of the printer, and then fasten the screws (for the rear) over them as shown in the illustration.



ZESP010J

- 11 Fasten the two screws (for the front) as shown in the illustration.



ZESP009J

- Use a coin to fasten them tightly.
- 14 Stick the label above the handle on the front of the Paper Feed Unit.



ZESP126J

Use a coin to fasten them tightly.

### **Note**

- After finishing installation, you can check whether the Paper Feed Unit is installed properly. Print the configuration page from the "List/Test Print" menu. If it is installed properly, you will see "Paper Feed Unit (Tray 2)" or "Paper Feed Unit (Tray 3)" under the "Options" list.
- If the Paper Feed Unit is not installed properly, reinstall from step **1**. If you cannot install it properly even after reinstallation, contact your sales or service representative.

### **Reference**

See "Using the Control Panel" in the Administrator Reference for printing the configuration page.

See "Loading Paper" in Maintenance Guide 2 for loading paper in the Paper Feed Unit.